

Specification

Model	Dis-M60
Pick up Element	1/3" SHARP CCD
Effective Picture Elements (H×V)	NTSC:768(H)×494(V) PAL:752(H)×582(V)
Horizontal Resolution	600 TV Line
Minimum Illumination	0.1 Lux/F1.2
S/N Ratio	More than 50dB
Scanning System	2:1 interface
Synchronous System	Internal, Negative sync.
Auto Electronic Shutter	NTSC: 1/60s~1/100,000s, PAL: 1/50s~1/100,000s
Gama Characteristic	0.45
Video Output	1Vpp, 75Ω
Auto Gain Control	Auto
Power/Current	DC12V(+/-10%)/150mA
Lens	3.7mm Taper Pinhole
Dimension (mm)	70(W) x40(H) x119(D)
Weight (g)	350
Storage Temperature	-30~+60℃ RH95% MAX
Operating Temperature	-10~+45℃ RH95% MAX

Packing List

No	Name	Model	Number
1.	PIR Spy Color Camera	Dis-M60	1
2.	User Guide	LDis-M60	1

Franchiser:

Dis-M60 Color Camera

PIR Spy Color Camera



Notes : Before providing power for the camera, please read this User Guide in detail!

Do not attempt to disassemble the camera. If the camera can not work, please contact local franchiser or our company.

BRIEF OF PRODUCT

* Sensor (CCD)

Adopt SHARP 1/3" CCD Sensor.

* Auto Gain Control (AGC)

Built-in auto gain control (AGC) circuit. The color camera can get high definition picture in low Lux condition.

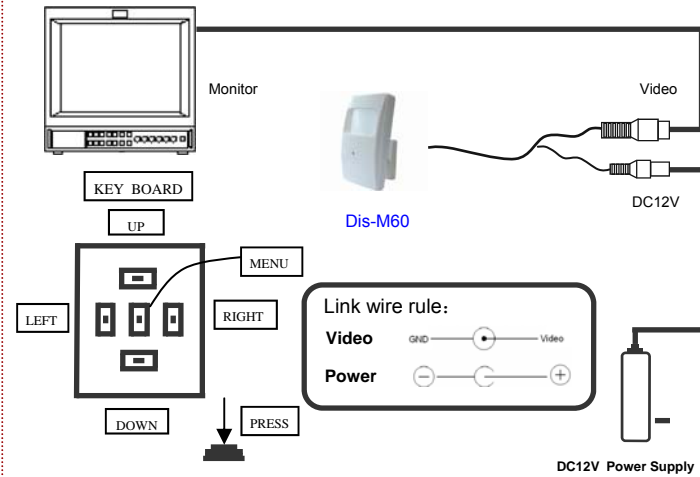
* Scanning Mode

NTSC or PAL mode.

* OSD SETTING

OSD SET	LENS		MANUAL/DC/VIDEO	
	EXPOSURE	SHUTTER	AUTO,FLK,1/50,1/250,1/500,1/2000,1/40000,1/5000,1/10000,1/100000	
BRIGHTNESS		0-255		
AGC		LOW/MIDDLE/HIGH/OFF		
D-WDR		OFF/ON(LEVEL:0-63)		
RETURN				
WHITE BAL	ATW1/ATW2/AWC-SET/MANUAL:(INDOOR、OUTDOOR、MANUAL)			
BACK LIGHT	OFF			
	BLC:AREA SEL/AREA STATE/GAIN/HEIGHT/LEFT/RIGHT/TOP/BOTTOM			
	HLC:LEVEL(0-255)/MODE(ALL DAY/NIGHT ONLY)			
DPC	COVER THE LENS THEN PRESS ENTER KRY			
DAY & NIGHT	COLOR			
	B/W	BURST(OFF/ON)/IR SMART(OFF/ON)/IR GAIN/HEIGHT/WIDTH/LEFT/RIGHT/TOP/ BOTTOM)/IR LEVEL(HIGH/LOW)		
	AUTO	D-N(LEVEL/DELAY)/N-D(LEVEL/DELAY)		
OSD SET	CAM TITLE	ON/OFF		
	MOTION OFF/ON	AREA SEL:AREA1-4		
		AREA STATE:OFF/ON HEIGHT/WIDTH/LEFT/RIGHT/TOP/BOTTOM / DEGREE/VIEW		
	PRIVACY OFF/ON	AREA SEL:AREA1-8		
		AREA STATE:OFF/ON HEIGHT/WIDTH/LEFT/RIGHT/TOP/BOTTOM / COLOR		
SPECIAL	PARK.LINE	OFF/ON(LT/LB/RT/RB/F/N/T)		
	IMAGE ADJ	LENS SHAD:OFF/ON		
		2DNR:OFF/ON		
		MIRROR:OFF/ON		
		FONT COLOR:FONT(0-15)/ID&TITLE(0-15)		
		CONTRAST:0-255 SHARPNESS:0-31 NEG.IMAGE:OFF/ON		
		DISPLAY:CRT(PED LEVEL:0-63/COLOR GAIN:0-255)/LCD(GAMMA:0-1/PED LEVEL:0-63/COLOR:0-255)/USER(GAMMA:0-1/PED LEVEL:0-63/COLOR:0-255)		
RESET	FACTORY RESET			
EXIT				

CONNECTING



TROUBLE AND SOLUTION

1. No Picture after providing power

- May be the power supply voltage abnormality, please check the power supply voltage and pole whether exactitude.
- Please check all the connecting cable and monitors whether be connected correctly or not.

2. The picture level direction have flowing interference ripples

- May be caused by the power supply AC ripples, it need filter the wave of the power supply.
- Check the monitor and peripheral equipments used.

3. The picture background color changes continuously

- The fluorescent lamp's electromagnetic field cause color roll. This is proper phenomenon of the cameras.
- Reduce the fluorescent lamp numbers or increase the distance between the camera and the fluorescent lamps can improve it.
- Use power supply external sync. camera can solve it.

4. The picture smear too mass

- The power supply's voltage unstable.
- Connecting cables not connect correctly or have high impedance.



Notes:

- The power supply must through safe attestation. Its output voltage, current, voltage polarity and operating temperature must match the camera's requirement.
- When using the camera in the thunderbolt condition, please note to mount Anti-thunder device or put off the power supply plug and cable.
- In order to capture high quality pictures, the power supply's cable and video output cable should not be too long.

INTRODUCTION

Congratulations on your purchase of this product. This User Guide suits Dis-M60 series product. We adopt the latest SHARP technical of sensor and driver. The most attractive characteristics are small and easy hidden, suits the elevator and corridor. In addition, it owns the characters of high definition and stability, strong anti-jamming, rich and real color. Fixing and using this model are convenient too. It is very good for you to apply to your CCTV system.

Please read this instruction manual carefully to ensure proper use of the product.



To prevent fire or shock hazarded. Do not expose the unit to rain or moisture.



The symbol is intended to alert the user to the presence of important operating and maintenance (servicing) Instructions in the literature accompanying the appliance.



The symbol is intended to alert the user to the presence of uninsulated 'dangerous voltage' within the product's enclosure that may be of sufficient Magnitude to constitute a risk of electric shock to persons.

CAUTION:

RISK OF ELECTRIC. DO NOT OPEN

SHOCK

CAUTION: TO REDUCE THE RISK OF ELECTRIC
DO NOT REMOVE COVER OR BACK NO USER
SERVICEABLE PARTS INSIDE. REFER SERVICING

CAUTION: TO PREVENT ELECTRIC SHOCKS AND RISK OF
FIRE HAZARDS, DO NOT USE OTHER THAN
SPECIFIED POWER SOURCE.

Note:

- Please note the camera's operating temperature and its using environment requirement. Avoid using the camera at too high or too low temperatures. The operating temperature is -30~+60℃. (Recommendatory operating temperature is -10~+45℃.)
- Never make the camera face the sun or bright object. Otherwise, it will damage the CCD.
- Do not mount the camera near by the radiator or heater.